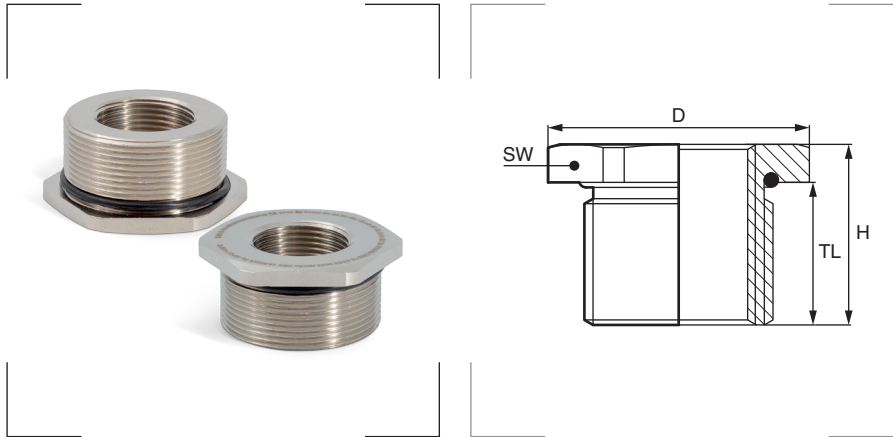


Reducción GRUS

1/4


Marcado del equipo

 Ex II 2GD
 Ex db IIC Gb Ex eb IIC Gb Ex tb IIIC
 Db

Para uso en

 Grupo II, grupo gas IIC, zona 1, 2.
 Grupo III, grupo gas IIIC, zona 21, 22.

Grado de protección

Polvo/agua: IP66 - IP68, 5 bar, 30 min.

Materiales

 Cuerpo de latón niquelado o de acero inoxidable 316L.
 Junta tórica de cloropreno o silicona.

Certificados y normas aplicables

Temperatura de trabajo

 -40°C a +100°C (junta de cloropreno).
 -60°C a +130°C (junta de silicona).

Para completar la referencia sustituya la # por **BN** para prensaestopas de latón niquelado o **X** para prensaestopas de acero inoxidable.

Por ejemplo: para una ampliación de NPT 1/2" macho a métrica 16, de latón niquelado, la referencia será **B-RA1N01MBN**.

Rosca NPT macho > métrica hembra

Referencia	Rosca macho	Rosca hembra	TL mm	SW mm	D mm	H mm	Embalaje unidades
B-RA1N01M#	NPT 1/2"	M 16 x 1,5	15,0	25	27,5	4,0	1
B-RA2N01M#	NPT 3/4"	M 16 x 1,5	15,0	30	33,0	4,0	1
B-RA2N1M#		M 20 x 1,5	15,0	30	33,0	4,0	1
B-RA3N01M#	NPT 1"	M 16 x 1,5	15,0	36	39,5	4,0	1
B-RA3N1M#		M 20 x 1,5	15,0	36	39,5	4,0	1
B-RA3N2M#		M 25 x 1,5	15,0	36	39,5	4,0	1
B-RA4N01M#	NPT 1 1/4"	M 16 x 1,5	18,0	45	50,0	4,0	1
B-RA4N1M#		M 20 x 1,5	18,0	45	50,0	4,0	1
B-RA4N2M#		M 25 x 1,5	18,0	45	50,0	4,0	1
B-RA4N3M#		M 32 x 1,5	18,0	45	50,0	4,0	1
B-RA5N1M#	NPT 1 1/2"	M 20 x 1,5	18,0	55	61,0	5,0	1
B-RA5N2M#		M 25 x 1,5	18,0	55	61,0	5,0	1
B-RA5N3M#		M 32 x 1,5	18,0	55	61,0	5,0	1
B-RA5N4M#		M 40 x 1,5	18,0	55	61,0	5,0	1
B-RA6N2M#	NPT 2"	M 25 x 1,5	18,0	65	72,0	5,0	1
B-RA6N3M#		M 32 x 1,5	18,0	65	72,0	5,0	1
B-RA6N4M#		M 40 x 1,5	18,0	65	72,0	5,0	1
B-RA6N5M#		M 50 x 1,5	18,0	65	72,0	5,0	1
B-RA7N5M#	NPT 2 1/2"	M 50 x 1,5	28,0	75	83,0	6,0	1
B-RA7N6M#		M 60 x 1,5	28,0	75	83,0	6,0	1
B-RA7N6M#		M 63 x 1,5	28,0	75	83,0	6,0	1
B-RA8N6M#	NPT 3"	M 63 x 1,5	28,0	95	105,0	8,0	1
B-RA8N7M#		M 70 x 1,5	28,0	95	105,0	8,0	1
B-RA8N7M#		M 75 x 1,5	28,0	95	105,0	8,0	1
B-RA9N8M#	NPT 3 1/2"	M 80 x 1,5	28,0	110	123,0	10,0	1
B-RA9N85M#		M 85 x 1,5	28,0	110	123,0	10,0	1
B-RA9N8M#		M 90 x 1,5	28,0	110	123,0	10,0	1
B-RA10N8M#	NPT 4"	M 80 x 1,5	28,0	120	133,5	10,0	1
B-RA10N85M#		M 85 x 1,5	28,0	120	133,5	10,0	1
B-RA10N8M#		M 90 x 1,5	28,0	120	133,5	10,0	1
B-RA10N9M#		M 100 x 1,5	28,0	120	133,5	10,0	1

Reducción GRUS

2/4

Rosca métrica macho > métrica hembra

Referencia	Rosca macho	Rosca hembra	TL mm	SW mm	D mm	H mm	Embalaje unidades
B-RA1M01M#	M 20 x 1,5	M 16 x 1,5	15,0	25	27,5	4,0	1
B-RA2M01M#	M 25 x 1,5	M 16 x 1,5	15,0	30	33,0	4,0	1
B-RA2M1M#		M 20 x 1,5	15,0	30	33,0	4,0	1
B-RA3M01M#	M 32 x 1,5	M 16 x 1,5	15,0	36	39,5	4,0	1
B-RA3M1M#		M 20 x 1,5	15,0	36	39,5	4,0	1
B-RA3M2M#		M 25 x 1,5	15,0	36	39,5	4,0	1
B-RA4M01M#	M 40 x 1,5	M 16 x 1,5	18,0	45	50,0	4,0	1
B-RA4M1M#		M 20 x 1,5	18,0	45	50,0	4,0	1
B-RA4M2M#		M 25 x 1,5	18,0	45	50,0	4,0	1
B-RA4M3M#		M 32 x 1,5	18,0	45	50,0	4,0	1
B-RA5M01M#	M 50 x 1,5	M 16 x 1,5	18,0	55	61,0	5,0	1
B-RA5M1M#		M 20 x 1,5	18,0	55	61,0	5,0	1
B-RA5M3M#		M 32 x 1,5	18,0	55	61,0	5,0	1
B-RA5M2M#		M 25 x 1,5	18,0	55	61,0	5,0	1
B-RA5M4M#		M 40 x 1,5	18,0	55	61,0	5,0	1
B-RA6M01M#	M 60 x 1,5	M 20 x 1,5	18,0	70	77,0	5,0	1
B-RA6M2M#		M 25 x 1,5	18,0	70	77,0	5,0	1
B-RA6M3M#		M 32 x 1,5	18,0	70	77,0	5,0	1
B-RA6M4M#		M 40 x 1,5	18,0	70	77,0	5,0	1
B-RA6M5M#		M 50 x 1,5	18,0	70	77,0	5,0	1
B-RA6M1M#	M 63 x 1,5	M 20 x 1,5	18,0	70	77,0	5,0	1
B-RA6M2M#		M 25 x 1,5	18,0	70	77,0	5,0	1
B-RA6M3M#		M 32 x 1,5	18,0	70	77,0	5,0	1
B-RA6M4M#		M 40 x 1,5	18,0	70	77,0	5,0	1
B-RA6M5M#		M 50 x 1,5	18,0	70	77,0	5,0	1
B-RA7M02M#	M 70 x 1,5	M 25 x 1,5	18,0	80	88,5	6,0	1
B-RA7M03M#		M 32 x 1,5	18,0	80	88,5	6,0	1
B-RA7M04M#		M 40 x 1,5	18,0	80	88,5	6,0	1
B-RA7M05M#		M 50 x 1,5	18,0	80	88,5	6,0	1
B-RA7M06M#		M 60 x 1,5	18,0	80	88,5	6,0	1
B-RA7M3M#	M 75 x 1,5	M 32 x 1,5	18,0	85	94,0	6,0	1
B-RA7M4M#		M 40 x 1,5	18,0	85	94,0	6,0	1
B-RA7M5M#		M 50 x 1,5	18,0	85	94,0	6,0	1
B-RA7M6M#		M 60 x 1,5	18,0	85	94,0	6,0	1
B-RA7M6M#		M 63 x 1,5	18,0	85	94,0	6,0	1
B-RA8M4M#	M 80 x 1,5	M 40 x 1,5	18,0	90	100,0	6,0	1
B-RA8M5M#		M 50 x 1,5	18,0	90	100,0	6,0	1
B-RA8M6M#		M 60 x 1,5	18,0	90	100,0	6,0	1
B-RA8M6M#		M 63 x 1,5	18,0	90	100,0	6,0	1
B-RA8M7M#		M 70 x 1,5	18,0	90	100,0	6,0	1
B-RA85M5M#	M 85 x 1,5	M 50 x 1,5	21,0	95	105,0	8,0	1
B-RA85M6M#		M 60 x 1,5	21,0	95	105,0	8,0	1
B-RA85M7M#		M 70 x 1,5	21,0	95	105,0	8,0	1
B-RA85M6M#		M 63 x 1,5	21,0	95	105,0	8,0	1
B-RA85M7M#		M 75 x 1,5	21,0	95	105,0	8,0	1
B-RA8M6M#	M 90 x 1,5	M 63 x 1,5	21,0	100	111,0	8,0	1
B-RA8M7M#		M 70 x 1,5	21,0	100	111,0	8,0	1
B-RA8M7M#		M 75 x 1,5	21,0	100	111,0	8,0	1
B-RA8M8M#		M 80 x 1,5	21,0	100	111,0	8,0	1
B-RA9M8M#	M 100 x 1,5	M 80 x 1,5	21,0	110	123,0	10,0	1
B-RA9M85M#		M 85 x 1,5	21,0	110	123,0	10,0	1
B-RA9M8M#		M 90 x 1,5	21,0	110	123,0	10,0	1
B-RA10M8M#	M 110 x 1,5	M 90 x 1,5	21,0	120	133,5	10,0	1
B-RA10M9M#		M 100 x 1,5	21,0	120	133,5	10,0	1

Reducción GRUS

3/4

Rosca métrica macho > NPT hembra

Referencia	Rosca macho	Rosca hembra	TL mm	SW mm	D mm	H mm	Embalaje unidades
B-RA1M01N#	M 20 x 1,5	NPT 3/8"	15,0	25	27,5	4,0	1
B-RA2M01N#	M 25 x 1,5	NPT 3/8"	15,0	30	33,0	4,0	1
B-RA2M1N#		NPT 1/2"	15,0	30	33,0	4,0	1
B-RA3M01N#	M 32 x 1,5	NPT 3/8"	15,0	36	39,5	4,0	1
B-RA3M1N#		NPT 1/2"	15,0	36	39,5	4,0	1
B-RA3M2N#		NPT 3/4"	15,0	36	39,5	4,0	1
B-RA4M01N#	M 40 x 1,5	NPT 3/8"	18,0	45	50,0	4,0	1
B-RA4M1N#		NPT 1/2"	18,0	45	50,0	4,0	1
B-RA4M2N#		NPT 3/4"	18,0	45	50,0	4,0	1
B-RA5M01N#	M 50 x 1,5	NPT 3/8"	18,0	55	61,0	5,0	1
B-RA5M1N#		NPT 1/2"	18,0	55	61,0	5,0	1
B-RA5M2N#		NPT 3/4"	18,0	55	61,0	5,0	1
B-RA6M01N#	M 60 x 1,5	NPT 3/8"	18,0	70	77,0	5,0	1
B-RA6M1N#		NPT 1/2"	18,0	70	77,0	5,0	1
B-RA6M2N#		NPT 3/4"	18,0	70	77,0	5,0	1
B-RA6M3N#		NPT 1"	18,0	70	77,0	5,0	1
B-RA6M01N#	M 63 x 1,5	NPT 3/8"	18,0	70	77,0	5,0	1
B-RA6M1N#		NPT 1/2"	18,0	70	77,0	5,0	1
B-RA6M2N#		NPT 3/4"	18,0	70	77,0	5,0	1
B-RA6M3N#		NPT 1"	18,0	70	77,0	5,0	1
B-RA7M01N#	M 70 x 1,5	NPT 3/8"	18,0	80	88,5	6,0	1
B-RA7M1N#		NPT 1/2"	18,0	80	88,5	6,0	1
B-RA7M2N#		NPT 3/4"	18,0	80	88,5	6,0	1
B-RA7M3N#		NPT 1"	18,0	80	88,5	6,0	1
B-RA7M4N#		NPT 1 1/4"	18,0	80	88,5	6,0	1
B-RA7M1N#	M 75 x 1,5	NPT 1/2"	18,0	85	94,0	6,0	1
B-RA7M2N#		NPT 3/4"	18,0	85	94,0	6,0	1
B-RA7M3N#		NPT 1"	18,0	85	94,0	6,0	1
B-RA7M4N#		NPT 1 1/4"	18,0	85	94,0	6,0	1
B-RA7M5N#		NPT 1 1/2"	18,0	85	94,0	6,0	1
B-RA8M2N#	M 80 x 1,5	NPT 3/4"	18,0	90	100,0	6,0	1
B-RA8M3N#		NPT 1"	18,0	90	100,0	6,0	1
B-RA8M4N#		NPT 1 1/4"	18,0	90	100,0	6,0	1
B-RA8M5N#		NPT 1 1/2"	18,0	90	100,0	6,0	1
B-RA8M6N#		NPT 2"	18,0	90	100,0	6,0	1
B-RA85M3N#	M 85 x 1,5	NPT 1"	21,0	95	105,0	8,0	1
B-RA85M4N#		NPT 1 1/4"	21,0	95	105,0	8,0	1
B-RA85M5N#		NPT 1 1/2"	21,0	95	105,0	8,0	1
B-RA85M6N#		NPT 2"	21,0	95	105,0	8,0	1
B-RA85M7N#		NPT 2 1/2"	21,0	95	105,0	8,0	1
B-RA8M4N#	M 90 x 1,5	NPT 1 1/4"	21,0	100	111,0	8,0	1
B-RA8M5N#		NPT 1 1/2"	21,0	100	111,0	8,0	1
B-RA8M6N#		NPT 2"	21,0	100	111,0	8,0	1
B-RA8M7N#		NPT 2 1/2"	21,0	100	111,0	8,0	1
B-RA9M5N#	M 100 x 1,5	NPT 1 1/2"	21,0	110	123,0	10,0	1
B-RA9M6N#		NPT 2"	21,0	110	123,0	10,0	1
B-RA9M7N#		NPT 2 1/2"	21,0	110	123,0	10,0	1
B-RA9M8N#		NPT 3"	21,0	110	123,0	10,0	1
B-RA10M6N#	M 110 x 1,5	NPT 2"	21,0	120	133,5	10,0	1
B-RA10M7N#		NPT 2 1/2"	21,0	120	133,5	10,0	1

Reducción GRUS

4/4

Rosca NPT macho > NPT hembra

Referencia	Rosca macho	Rosca hembra	TL mm	SW mm	D mm	H mm	Embalaje unidades
B-RA1N01N#	NPT 1/2"	NPT 3/8"	15,0	25	27,5	4,0	1
B-RA2N01N#	NPT 3/4"	NPT 3/8"	15,0	30	33,0	4,0	1
B-RA2N1N#		NPT 1/2"	15,0	30	33,0	4,0	1
B-RA3N01N#	NPT 1"	NPT 3/8"	15,0	36	39,5	4,0	1
B-RA3N1N#		NPT 1/2"	15,0	36	39,5	4,0	1
B-RA3N2N#		NPT 3/4"	15,0	36	39,5	4,0	1
B-RA4N1N#	NPT 1 1/4"	NPT 1/2"	18,0	45	50,0	4,0	1
B-RA4N2N#		NPT 3/4"	18,0	45	50,0	4,0	1
B-RA4N3N#		NPT 1"	18,0	45	50,0	4,0	1
B-RA5N2N#	NPT 1 1/2"	NPT 3/4"	18,0	55	61,0	5,0	1
B-RA5N3N#		NPT 1"	18,0	55	61,0	5,0	1
B-RA5N4N#		NPT 1 1/4"	18,0	55	61,0	5,0	1
B-RA6N2N#	NPT 2"	NPT 3/4"	18,0	65	72,0	5,0	1
B-RA6N3N#		NPT 1"	18,0	65	72,0	5,0	1
B-RA6N4N#		NPT 1 1/4"	18,0	65	72,0	5,0	1
B-RA6N5N#		NPT 1 1/2"	18,0	65	72,0	5,0	1
B-RA7N2N#	NPT 2 1/2"	NPT 3/4"	28,0	75	83,0	6,0	1
B-RA7N3N#		NPT 1"	28,0	75	83,0	6,0	1
B-RA7N4N#		NPT 1 1/4"	28,0	75	83,0	6,0	1
B-RA7N5N#		NPT 1 1/2"	28,0	75	83,0	6,0	1
B-RA7N6N#		NPT 2"	28,0	75	83,0	6,0	1
B-RA8N3N#	NPT 3"	NPT 1"	28,0	95	105,0	8,0	1
B-RA8N4N#		NPT 1 1/4"	28,0	95	105,0	8,0	1
B-RA8N5N#		NPT 1 1/2"	28,0	95	105,0	8,0	1
B-RA8N6N#		NPT 2"	28,0	95	105,0	8,0	1
B-RA8N7N#		NPT 2 1/2"	28,0	95	105,0	8,0	1
B-RA9N4N#	NPT 3 1/2"	NPT 1 1/4"	28,0	110	123,0	10,0	1
B-RA9N5N#		NPT 1 1/2"	28,0	110	123,0	10,0	1
B-RA9N6N#		NPT 2"	28,0	110	123,0	10,0	1
B-RA9N7N#		NPT 2 1/2"	28,0	110	123,0	10,0	1
B-RA9N8N#		NPT 3"	28,0	110	123,0	10,0	1
B-RA10N5N#	NPT 4"	NPT 1 1/2"	28,0	120	133,5	10,0	1
B-RA10N6N#		NPT 2"	28,0	120	133,5	10,0	1
B-RA10N7N#		NPT 2 1/2"	28,0	120	133,5	10,0	1
B-RA10N8N#		NPT 3"	28,0	120	133,5	10,0	1