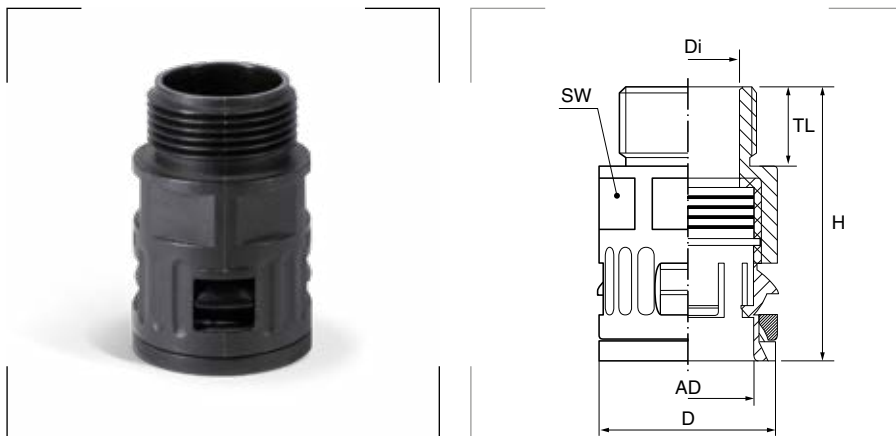


Racor RQG1



Grado de protección
 Polvo/agua: IP66.

Materiales
 Cuerpo de poliamida PA.

Colores
 Negro
 Gris oscuro

Certificados y normas aplicables



EN / IEC 61386-23
 UL 1696 | CSA 22.2 UR file E86359
 ASTM E162|E662 SMP 800-C
 Gost | Lloyds Register

Temperatura de trabajo
 -40°C hasta +120°C.

Descripción

Racor de poliamida de conexión rápida, con cierre cónico, rosca macho.

Propiedades

- Resistente al aceite y a la gasolina.
- Altamente resistente a los ácidos y a los disolventes.
- Libre de silicona, cadmio y halógenos.

Rosca métrica

Referencia Negro	Referencia Gris oscuro	Modelo Ø mm		Métrica EN 60423	Di Ø mm	D Ø mm	TL mm	H mm	SW mm	Peso Kg/100	Embalaje unidades
		DN	AD								
5020.055.210	5020.055.010	7,5	10,0	M 10 x 1,0	6,0	17,0	11,5	34,5	16	0,400	50
5020.055.211	5020.055.011			M 12 x 1,5	7,0	17,0	11,5	34,5		0,400	
5020.055.212	5020.055.012			M 12 x 1,5	7,0	20,0	12,0	37,0		0,520	
5020.055.214	5020.055.014	10	13,0	M 16 x 1,5	10,0	20,0	11,5	37,0	18	0,560	50
5020.055.216	5020.055.016			M 16 x 1,5	11,0	23,0	11,5	39,0		0,700	
5020.055.218	5020.055.018	12	15,8	M 20 x 1,5	12,0	25,0	13,0	39,0	21	0,760	50
5020.055.219	5020.055.019	14	18,5	M 20 x 1,5	13,5	26,0	13,0	43,0	24	0,880	50
5020.055.220	5020.055.020	17	21,2	M 20 x 1,5	16,0	29,5	13,0	44,5	27	1,160	50
5020.055.222	5020.055.022			M 25 x 1,5	17,0	29,5	13,0	44,5		1,240	
5020.055.225	5020.055.025	23	28,5	M 25 x 1,5	19,5	37,0	13,0	47,0	34	1,750	25
5020.055.228	5020.055.028			M 32 x 1,5	23,0	37,0	15,0	49,0		1,800	
5020.055.232	5020.055.032	29	34,5	M 32 x 1,5	25,5	44,0	15,0	51,0	40	2,400	25
5020.055.236	5020.055.036			M 40 x 1,5	30,5	48,5	15,0	51,5		2,560	
5020.055.240	5020.055.040	37	42,5	M 40 x 1,5	32,0	52,0	15,0	53,5	48	3,360	25
5020.055.245	5020.055.045			M 50 x 1,5	36,5	56,0	15,5	55,0		3,700	
5020.055.250	5020.055.050	50	54,5	M 50 x 1,5	42,5	63,5	15,5	55,0	59	4,200	10
5020.055.263	5020.055.063			M 63 x 1,5	48,0	70,0	16,0	55,0		5,250	

Rosca PG

Referencia Negro	Referencia Gris oscuro	Modelo Ø mm		PG DIN 40430	Di Ø mm	D Ø mm	TL mm	H mm	SW mm	Peso Kg/100	Embalaje unidades
		DN	AD								
5020.049.207	5020.049.007	7,5	10,0	PG 7	7,0	17,0	10,0	32,5	16	0,420	50
5020.063.202	-			PG 9	7,0	18,5	10,0	32,5		0,420	
5020.063.203	-			PG 11	7,0	21,0	10,0	32,5		0,480	
5020.063.205	-			PG 13,5	7,0	23,0	10,0	32,5		0,560	
5020.062.201	-	10	13,0	PG 7	8,0	20,0	10,0	35,0	18	0,520	25
5020.049.209	5020.049.009			PG 9	10,0	20,0	10,0	35,0		0,520	
5020.063.204	-			PG 11	10,0	21,0	10,0	35,0		0,560	
5020.063.206	-	PG 13,5	10,0	23,0	10,0	35,0	0,600	25			
5020.049.211	5020.049.011	12	15,8	PG 11	12,5	23,0	10,0	37,0	21	0,700	50
5020.063.207	-			PG 13,5	12,5	23,0	10,0	37,0		0,720	
5020.063.210	-			PG 16	12,5	26,5	10,0	37,0		0,800	
5020.049.213	5020.049.013	14	18,5	PG 13,5	13,5	26,0	13,0	43,0	24	0,880	50
5020.062.209	-	17	21,2	PG 13,5	15,4	29,5	13,0	43,5	27	1,200	10
5020.049.216	5020.049.016			PG 16	17,0	29,5	13,0	46,0		1,240	
5020.062.208	-	23	28,5	PG 16	17,0	37,0	12,0	48,5	34	1,800	10
5020.049.221	5020.049.021			PG 21	23,0	37,0	13,0	48,5		1,680	
5020.049.229	5020.049.029	29	34,5	PG 29	30,0	44,0	14,5	53,5	40	2,400	25
5020.049.236	5020.049.036	37	42,5	PG 36	36,5	52,0	14,5	56,0	48	3,120	25
5020.049.248	5020.049.048	50	54,5	PG 48	48,0	65,5	15,5	58,0	59	4,400	10