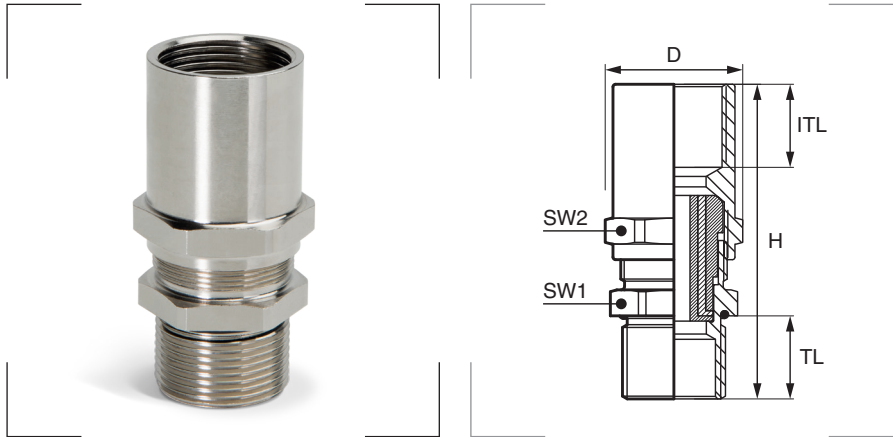


Racor CARINA entre tubos rígidos para aplicaciones Ex d/e



Marcado del equipo
Ex II 2GD Ex db IIC Gb
Ex eb IIC Gb Ex tb IIIC Db

Para uso en
Grupo II, grupo gas IIC, zona 1, 2.
Grupo III, grupo gas IIIC, zona 21, 22.

Grado de protección
Polvo/agua: IP66 - IP68, 5 bar, 30 min.

Materiales
Cuerpo de latón niquelado o acero inoxidable 316L.
Junta tórica de cloropreno o silicona.
Junta interior de cloropreno o silicona.

Certificados y normas aplicables



Temperatura de trabajo
Ex d/tb -40°C a +80°C (junta de cloropreno).
Ex e/tb -60°C a +80°C (junta de cloropreno).
Ex d/tb -60°C a +80°C (junta de silicona).
Ex e/tb -60°C a +140°C (junta de silicona).

Para completar la referencia sustituya la # por **BN** para prensaestopas de latón niquelado o **X** para prensaestopas de acero inoxidable.

Por ejemplo: para un prensaestopas de métrica 16 con rosca interna NPT 3/8", rango de cable de 4,0-12,0 mm, de latón niquelado la referencia será **BM01MBN**.

Rosca métrica EN 60423

Referencia	Métrica	Rosca interna	Para cable Ø mín.-máx. mm	Ex-e mín.	Ex-d/e mín.	ITL mm	SW1 mm	SW2 mm	H mm	D mm	Embalaje unidades
				TL mm							
BM01M#	M 16 x 1,5	NPT 3/8"	4,0-12,0	9	16	16	24	22	49,5	26,5	1
BM1M#	M 20 x 1,5	NPT 1/2"	4,0-12,0	9	16	16	24	22	46,0	26,5	1
BM12M#		NPT 1/2"	10,0-16,0	9	16	16	30	28	49,0	33,0	1
BM2M#	M 25 x 1,5	NPT 3/4"	10,0-18,0	9	16	16	30	28	49,5	33,0	1
BM23M#		NPT 3/4"	14,0-20,0	9	16	16	35	35	54,0	39,0	1
BM3M#	M 32 x 1,5	NPT 1"	14,0-24,0	9	16	20	35	35	56,0	39,0	1
BM34M#		NPT 1"	22,0-26,0	9	16	20	45	45	67,5	50,0	1
BM4M#	M 40 x 1,5	NPT 1 1/4"	22,0-32,0	9	18	20	50	45	65,5	55,0	1
BM45M#		NPT 1 1/4"	26,0-34,0	9	18	20	50	50	68,0	56,0	1
BM5M#	M 50 x 1,5	NPT 1 1/2"	26,0-35,0	9	18	20	55	55	69,0	61,0	1
BM56M#		NPT 1 1/2"	35,0-41,0	9	18	20	64	64	66,5	70,0	1
BM6M#	M 63 x 1,5	NPT 2"	35,0-45,0	9	18	20	68	68	69,0	75,0	1
BM67M#		NPT 2"	46,0-52,0	9	18	20	80	75	72,0	89,0	1
BM7M#	M 75 x 1,5	NPT 2 1/2"	46,0-62,0	9	20	21	80	80	73,0	89,0	1
BM78M#		NPT 2 1/2"	60,0-64,0	9	20	21	95	95	76,0	105,0	1
BM8M#	M 90 x 1,5	NPT 3"	60,0-75,0	9	20	21	95	95	76,0	105,0	1
BM810M#		NPT 3"	75,0-79,5	9	20	21	105	105	76,0	117,0	1
BM10M#	M 100 x 1,5	NPT 4"	75,0-85,0	9	20	21	105	105	76,0	117,0	1
BM11M#	M 110 x 1,5	NPT 4"	85,0-95,0	9	20	21	115	115	77,0	128,0	1

Rosca NPT ANSI ASME B1.20.1

Referencia	NPT	Rosca interna	Para cable Ø mín.-máx. mm	TL mm	ITL mm	SW1 mm	SW2 mm	H mm	D mm	Embalaje unidades
BM01N#	NPT 3/8"	NPT 3/8"	4,0-12,0	16	16	24	22	49,5	26,5	1
BM1N#	NPT 1/2"	NPT 1/2"K	4,0-12,0	16	16	24	22	46,0	26,5	1
BM12N#		NPT 1/2"	10,0-16,0	16	16	30	28	49,0	33,0	1
BM2N#	NPT 3/4"	NPT 3/4"K	10,0-18,0	16	16	30	28	49,0	33,0	1
BM23N#		NPT 3/4"	14,0-20,0	16	16	35	35	53,0	39,0	1
BM3N#	NPT 1"	NPT 1"K	14,0-24,0	20	20	35	35	56,0	39,0	1
BM34N#		NPT 1"	22,0-26,0	20	20	45	45	67,0	50,0	1
BM4N#	NPT 1 1/4"	NPT 1 1/4"K	22,0-32,0	20	20	50	45	65,5	55,5	1
BM45N#		NPT 1 1/4"	26,0-34,0	20	20	50	50	68,0	55,5	1
BM5N#	NPT 1 1/2"	NPT 1 1/2"K	26,0-35,0	20	20	55	55	69,0	61,0	1
BM56N#		NPT 1 1/2"	35,0-41,0	20	20	64	64	66,0	70,0	1
BM6N#	NPT 2"	NPT 2"K	35,0-45,0	20	20	68	68	69,5	75,0	1
BM67N#		NPT 2"	46,0-52,0	20	20	80	75	72,0	89,0	1
BM7N#	NPT 2 1/2"	NPT 2 1/2"K	46,0-62,0	21	21	80	80	73,0	89,0	1
BM78N#		NPT 2 1/2"	60,0-64,0	21	21	95	95	76,0	105,0	1
BM8N#	NPT 3"	NPT 3"K	60,0-75,0	21	21	95	95	76,0	105,0	1
BM810N#		NPT 3"	75,0-79,5	21	21	105	105	76,0	117,0	1
BM10N#	NPT 4"	NPT 4"K	75,0-85,0	21	21	105	115	76,0	128,0	1
BM11N#		NPT 4"	85,0-95,0	21	21	115	115	77,0	128,0	1