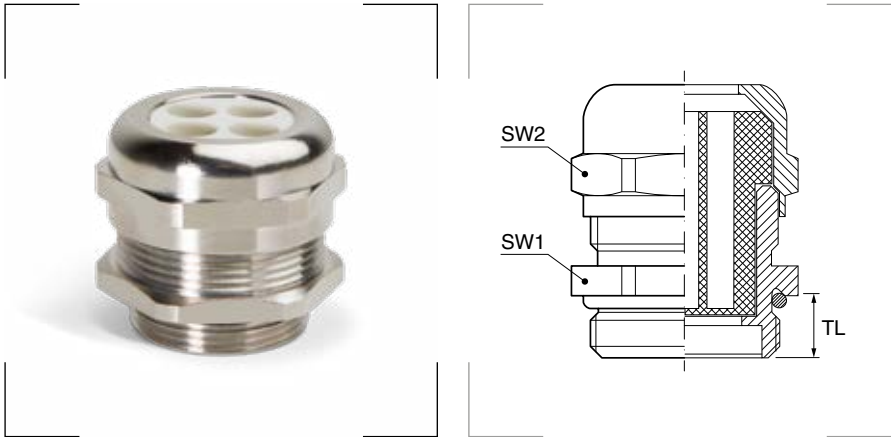


Prensaestopas multicables universal


Grado de protección

Polvo/agua: IP68 - IP65 (M40-63, PG 36-48).

Materiales

 Cuerpo de latón niquelado.
 Sellado de elastómero termoplástico TPE.
 Junta tórica de goma de nitrilo NBR.

Certificados y normas aplicables

Temperatura de trabajo

 IP68: -20°C hasta +120°C.
 IP65: -40°C hasta +100°C.

Descripción

Prensaestopas multicables universal de latón niquelado, con junta especial para paso de varios cables.

Rosca métrica

Referencia	Métrica EN 60423	Cables n° x Ømm	SW1 mm	SW2 mm	TL mm	Emb. uds.
313.1703.2	M 16 x 1,5	2 x 3,0	17	17	7	50
313.1704.2		2 x 4,0	17	17		
313.1703.3		3 x 3,0	17	17		
313.2002.2	M 20 x 1,5	2 x 2,3	20	22	7	50
313.2003.2		2 x 3,0	22	22		
313.2004.2		2 x 4,0	20	22		
313.2005.2		2 x 5,0	22	22		
313.2006.2		2 x 6,0	22	22		
313.2002.3		3 x 2,0	22	22		
313.2003.3		3 x 3,0	22	22		
313.2004.3		3 x 4,0	22	22		
313.2004.4		4 x 4,0	22	22		
313.2004.6		6 x 3,5	22	22		
313.2506.2		M 25 x 1,5	2 x 6,0	24		
313.2508.2	2 x 8,0		30	30		
313.2504.3	3 x 4,0		24	26		
313.2506.3	3 x 6,0		24	26		
313.2507.3	3 x 7,0		30	30		
313.2505.4	4 x 5,0		30	30		
313.2506.4	4 x 6,0		30	30		
313.2504.5	5 x 4,0		24	26		
313.2504.6	6 x 4,0		30	30		
313.3208.2	M 32 x 1,5		2 x 8,0	30	33	8,5
313.3208.3		3 x 8,0	30	33		
313.3206.4		4 x 6,0	30	33		
313.3208.4		4 x 8,0	40	40		
313.3209.4		4 x 9,0	40	40		
313.3204.6		6 x 4,0	30	33		
313.3206.6		6 x 6,5	40	40		
313.4015.2*	M 40 x 1,5	2 x 15,0	50	50	8	10
313.4009.5*		5 x 9,0	50	50		
313.4008.6*		6 x 8,0	50	50		
313.4009.7*		7 x 9,0	50	50		
313.6318.3*	M 63 x 1,5	3 x 18,0	68	64	10	5
313.6312.6*		6 x 12,0	68	64		
313.6310.8*		8 x 10,0	68	64		

* IP65 (-40°C hasta +100°C).

Rosca PG

Referencia	PG DIN 40430	Cables n° x Ømm	SW1 mm	SW2 mm	TL mm	Emb. uds.
313.0903.2	PG 9	2 x 3,0	17	17	6	50
313.0903.3		3 x 3,0	17	17		
313.0903.4		4 x 3,0	20	20		
313.1103.2	PG 11	2 x 3,0	20	20	6	50
313.1104.2		2 x 4,0	20	20		
313.1103.3		3 x 3,0	20	20		
313.1105.3		3 x 5,0	22	22		
313.1305.2	PG 13,5	2 x 5,0	22	22	6,5	50
313.1302.3		3 x 2,0	22	22		
313.1303.3		3 x 3,0	22	22		
313.1304.3		3 x 4,0	22	22		
313.1304.6		6 x 3,5	22	22		
313.1606.2	PG 16	2 x 6,0	24	24	6,5	50
313.1603.3		3 x 3,0	24	24		
313.1604.3		3 x 4,0	24	24		
313.1605.3		3 x 5,6	24	24		
313.1604.4		4 x 4,0	24	24		
313.1604.5		5 x 4,0	24	24		
313.1604.6		6 x 4,0	24	24		
313.2108.2	PG 21	2 x 8,0	30	30	7	20
313.2107.3		3 x 7,0	30	30		
313.2105.4		4 x 5,0	30	30		
313.2106.4		4 x 6,0	30	30		
313.2909.4	PG 29	4 x 9,0	40	40	8	20
313.2906.6		6 x 6,5	40	40		
313.3615.2*	PG 36	2 x 15,0	50	50	8	10
313.3609.5*		5 x 9,0	50	50		
313.3608.6*		6 x 8,0	50	50		
313.3609.7*		7 x 9,0	50	50		
313.4818.3*		PG 48	3 x 18,0	64		
313.4812.6*	6 x 12,0		64	64		
313.4810.8*	8 x 10,0		64	64		

* IP65 (-40°C hasta +100°C).