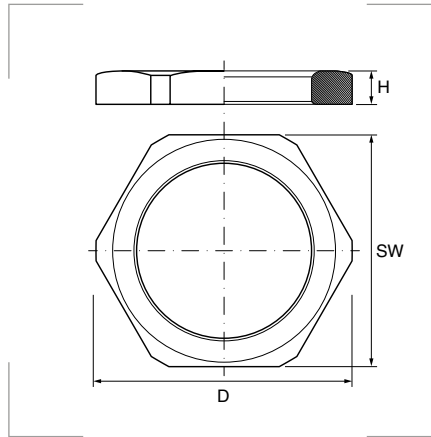


Contratuercas metálicas


Materiales

Latón niquelado o latón bruto.

Certificados y normas aplicables

 60423
 DIN 40430
 NPT ANSI/ASME B 1.20.1
 DIN 259 (BSP)
 DIN 89280

Temperatura de trabajo

 Permanente: -20°C hasta +100°C.
 Intermitente: -40°C hasta +150°C.

Latón niquelado - rosca métrica

Referencia	Métrica EN 60423	SW mm	D Ø mm	H mm	Embalaje unidades
785.1200.0	M 12 x 1,5	15	-	2,8	100
785.1600.0	M 16 x 1,5	19	-	2,8	100
785.2000.0	M 20 x 1,5	24	-	3,0	100
785.2500.0	M 25 x 1,5	29	-	3,5	100
785.3200.0	M 32 x 1,5	36	-	4,0	100
785.4000.0	M 40 x 1,5	46	-	4,5	50
785.5000.0	M 50 x 1,5	55	-	5,0	50
785.6300.0	M 63 x 1,5	70	-	5,5	25
785.7200.0	M 72 x 2,0	77	-	7,0	10
785.7501.0	M 75 x 1,5	80	-	7,0	5
785.7500.0	M 75 x 2,0	80	-	7,0	5
785.8000.0	M 80 x 2,0	90	-	8,0	5
785.8500.0	M 85 x 2,0	95	-	8,0	5
785.9000.0	M 90 x 2,0	100	-	8,0	5
785.10000.1	M 100 x 2,0	110	-	12,0	1

Latón niquelado - rosca PG

Referencia	PG DIN 40430	SW mm	D Ø mm	H mm	Embalaje unidades
780.0700.0	PG 7	15	-	2,8	100
780.0900.0	PG 9	18	-	2,8	100
780.1100.0	PG 11	21	-	3,0	100
780.1300.0	PG 13,5	23	-	3,0	100
780.1600.0	PG 16	26	-	3,0	100
780.2100.0	PG 21	32	-	3,5	100
780.2900.0	PG 29	41	-	4,0	100
780.3600.0	PG 36	51	-	5,0	50
780.4200.0	PG 42	60	-	5,0	50
780.4800.0	PG 48	64	-	5,5	25

Latón niquelado - rosca NPT

Referencia	NPT ANSI/ASME	SW mm	D Ø mm	H mm	Embalaje unidades
787.0038.0	NPT 3/8"	24,0	-	3,50	50
787.0012.0	NPT 1/2"	28,0	-	3,75	50
787.0034.0	NPT 3/4"	33,0	-	4,00	50
787.0100.0	NPT 1"	40,0	-	4,50	50
787.0114.0	NPT 1 1/4"	50,5	-	4,75	50
787.0112.0	NPT 1 1/2"	60,0	-	5,00	25
787.0200.0	NPT 2"	70,0	-	5,50	25

Latón niquelado - rosca GAS

Referencia	GAS DIN 259	SW mm	D Ø mm	H mm	Embalaje unidades
780.0014.0	G 1/4"	15	16,6	2,8	100
780.0038.0	G 3/8"	19	21,0	3,0	100
780.0012.0	G 1/2"	24	26,7	3,0	100
780.0058.0	G 5/8"	26	29,0	3,0	100
780.0034.0	G 3/4"	30	33,5	3,5	100
780.0100.0	G 1"	38	41,5	4,5	100
780.0114.0	G 1 1/4"	46	50,0	5,0	100
780.0112.0	G 1 1/2"	51	56,0	5,0	50
780.0200.0	G 2"	66	71,0	5,5	50
780.0214.0	G 2 1/4"	70	77,0	6,0	25
780.0212.0	G 2 1/2"	80	87,0	7,0	25
780.0300.0	G 3"	95	99,0	8,0	25
780.0400.0	G 4"	125	133,0	11,0	1
780.0500.0	G 5"	150	160,0	12,0	1

Latón bruto - rosca métrica

Referencia	Métrica DIN 89280	SW mm	D Ø mm	H mm	Embalaje unidades
789.1800.0	M 18 x 1,5	22	-	4	1
789.2400.0	M 24 x 1,5	30	-	5	1
789.3000.0	M 30 x 2,0	36	-	6	1
789.3600.0	M 36 x 2,0	41	-	7	1
789.4500.0	M 45 x 2,0	55	-	8	1
789.5600.0	M 56 x 2,0	65	-	9	1
789.7200.0	M 72 x 2,0	85	-	10	1
789.8000.0	M 80 x 2,0	90	-	12	1
789.1050.0	M 105 x 2,0	120	-	14	1

Ⓞ Bajo pedido, en latón niquelado. Consulte disponibilidad.