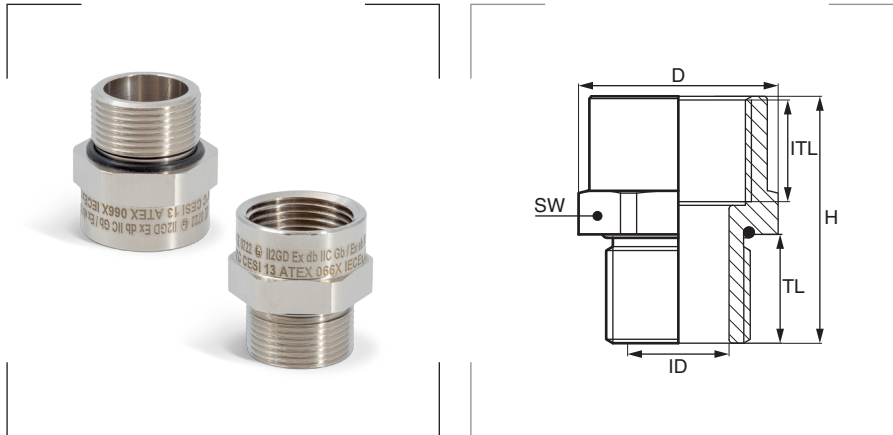


Ampliación APUS

1/4



Marcado del equipo

Ex II 2GD
Ex db IIC Gb Ex eb IIC Gb Ex tb IIIC
Db

Para uso en

Grupo II, grupo gas IIC, zona 1, 2.
Grupo III, grupo gas IIIC, zona 21, 22.

Grado de protección

Polvo/agua: IP66 - IP68, 5 bar, 30 min.

Materiales

Cuerpo de latón niquelado o de acero inoxidable 316L.
Junta tórica de cloropreno o silicona.

Certificados y normas aplicables



Temperatura de trabajo

-40°C a +100°C (junta de cloropreno).
-60°C a +130°C (junta de silicona).

Para completar la referencia sustituya la # por **BN** para prensaestopas de latón niquelado o **X** para prensaestopas de acero inoxidable.

Por ejemplo: para una ampliación de métrica 16 macho a NPT 3/8", de latón niquelado, la referencia será **B-RB01N01MBN**.

Rosca NPT macho < métrica hembra

Referencia	Rosca macho	Rosca hembra	TL mm	ITL mm	SW mm	D mm	ID mm	H mm	Embalaje unidades
B-RB01M01N#	NPT 3/8"	M 16 x 1,5	15,0	15,0	22	24,0	12,0	18,5	1
B-RB1M01N#		M 20 x 1,5	15,0	15,0	25	27,5	12,0	19,0	1
B-RB2M01N#		M 25 x 1,5	15,0	15,0	30	33,0	14,5	19,0	1
B-RB3M01N#		M 32 x 1,5	15,0	15,0	36	39,5	12,0	19,0	1
B-RB1M1N#	NPT 1/2"	M 20 x 1,5	15,0	15,0	25	27,5	14,5	19,0	1
B-RB2M1N#		M 25 x 1,5	15,0	15,0	30	33,0	14,5	19,0	1
B-RB3M1N#		M 32 x 1,5	15,0	15,0	36	39,5	14,5	19,0	1
B-RB4M1N#		M 40 x 1,5	15,0	18,0	45	50,0	14,5	22,0	1
B-RB1M2N#	NPT 3/4"	M 20 x 1,5	15,0	15,0	30	33,0	14,5	19,0	1
B-RB3M2N#		M 32 x 1,5	15,0	15,0	36	39,5	19,0	19,0	1
B-RB4M2N#		M 40 x 1,5	15,0	18,0	45	50,0	19,0	22,0	1
B-RB5M2N#		M 50 x 1,5	18,0	18,0	55	61,0	19,0	22,0	1
B-RB3M3N#	NPT 1"	M 32 x 1,5	15,0	15,0	36	39,5	26,0	19,0	1
B-RB4M3N#		M 40 x 1,5	15,0	18,0	45	50,0	26,0	22,0	1
B-RB5M3N#		M 50 x 1,5	18,0	18,0	55	61,0	26,0	22,0	1
B-RB6M3N#		M 60 x 1,5	18,0	18,0	68	75,0	26,0	22,5	1
B-RB6M3N#	NPT 1 1/4"	M 63 x 1,5	18,0	18,0	68	75,0	26,0	22,5	1
B-RB4M4N#		M 40 x 1,5	18,0	18,0	45	50,0	35,0	22,0	1
B-RB5M4N#		M 50 x 1,5	18,0	18,0	55	61,0	35,0	22,0	1
B-RB6M4N#		M 60 x 1,5	18,0	18,0	68	75,0	35,0	22,5	1
B-RB6M4N#	NPT 1 1/2"	M 63 x 1,5	18,0	18,0	68	75,0	35,0	22,5	1
B-RB70M4N#		M 70 x 1,5	18,0	18,0	80	88,5	35,0	22,5	1
B-RB7M4N#		M 75 x 1,5	18,0	18,0	80	88,5	35,0	22,5	1
B-RB5M5N#		M 50 x 1,5	18,0	18,0	55	61,0	40,0	22,0	1
B-RB6M5N#	NPT 2"	M 60 x 1,5	18,0	18,0	68	75,0	40,0	22,5	1
B-RB6M5N#		M 63 x 1,5	18,0	18,0	68	75,0	40,0	22,5	1
B-RB70M5N#		M 70 x 1,5	18,0	18,0	80	88,5	40,0	22,5	1
B-RB7M5N#		M 75 x 1,5	18,0	18,0	80	88,5	40,0	22,5	1
B-RB6M6N#	NPT 2 1/2"	M 63 x 1,5	18,0	18,0	68	75,0	51,0	22,5	1
B-RB70M6N#		M 70 x 1,5	18,0	18,0	80	88,5	51,0	22,5	1
B-RB7M6N#		M 75 x 1,5	18,0	18,0	80	88,5	51,0	22,5	1
B-RB80M6N#		M 80 x 1,5	18,0	18,0	90	100,0	51,0	23,0	1
B-RB85M6N#	NPT 3"	M 85 x 1,5	18,0	18,0	95	105,0	51,0	23,0	1
B-RB8M6N#		M 90 x 1,5	28,0	21,0	95	105,0	51,0	26,0	1
B-RB7M7N#		M 75 x 1,5	28,0	18,0	80	88,5	62,0	22,5	1
B-RB80M7N#		M 80 x 1,5	28,0	18,0	90	100,0	62,0	23,0	1
B-RB85M7N#	NPT 3 1/2"	M 85 x 1,5	28,0	18,0	95	105,0	62,0	23,0	1
B-RB8M7N#		M 90 x 1,5	28,0	21,0	95	105,0	62,0	26,0	1
B-RB85M8N#		M 85 x 1,5	28,0	18,0	95	105,0	75,0	23,0	1
B-RB10M8N#		M 110 x 1,5	28,0	21,0	120	133,5	75,0	26,0	1
B-RB9M9N#	NPT 4"	M 100 x 1,5	28,0	21,0	110	123,0	87,0	26,0	1
B-RB10M9N#		M 110 x 1,5	28,0	21,0	120	133,5	87,0	26,0	1
B-RB10M10N#		M 110 x 1,5	28,0	21,0	120	133,5	100,0	26,0	1

Nota: GAESTOPAS certifica que los datos aquí expuestos son una fiel reproducción de los datos facilitados por el fabricante.

Ampliación APUS

2/4

Rosca métrica macho < métrica hembra

Referencia	Rosca macho	Rosca hembra	TL mm	ITL mm	SW mm	D mm	ID mm	H mm	Embalaje unidades
B-RB1M01M#	M 16 x 1,5	M 20 x 1,5	15,0	15,0	25	27,5	10,0	19,0	1
B-RB2M01M#		M 25 x 1,5	15,0	15,0	30	33,0	10,0	19,0	1
B-RB3M01M#		M 32 x 1,5	15,0	15,0	36	39,5	10,0	19,0	1
B-RB2M1M#	M 20 x 1,5	M 25 x 1,5	15,0	15,0	30	33,0	14,0	19,0	1
B-RB3M1M#		M 32 x 1,5	15,0	15,0	36	39,5	14,0	19,0	1
B-RB4M1M#		M 40 x 1,5	15,0	18,0	45	50,0	14,0	22,0	1
B-RB3M2M#	M 25 x 1,5	M 32 x 1,5	15,0	15,0	36	39,5	19,0	19,0	1
B-RB4M2M#		M 40 x 1,5	15,0	18,0	45	50,0	19,0	22,0	1
B-RB5M2M#		M 50 x 1,5	15,0	18,0	55	61,0	19,0	22,0	1
B-RB4M3M#	M 32 x 1,5	M 40 x 1,5	15,0	18,0	45	50,0	26,0	22,0	1
B-RB5M3M#		M 50 x 1,5	15,0	18,0	55	61,0	26,0	22,0	1
B-RB6M3M#		M 60 x 1,5	18,0	18,0	68	75,0	26,0	22,5	1
B-RB5M4M#	M 40 x 1,5	M 50 x 1,5	18,0	18,0	55	61,0	34,0	22,0	1
B-RB6M4M#		M 60 x 1,5	18,0	18,0	68	75,0	34,0	22,5	1
B-RB6M4M#		M 63 x 1,5	18,0	18,0	68	75,0	34,0	22,5	1
B-RB7M4M#		M 70 x 1,5	18,0	18,0	80	88,5	34,0	22,5	1
B-RB7M4M#		M 75 x 1,5	18,0	18,0	80	88,5	34,0	22,5	1
B-RB6M5M#	M 50 x 1,5	M 60 x 1,5	18,0	18,0	68	75,0	44,0	22,5	1
B-RB6M5M#		M 63 x 1,5	18,0	18,0	68	75,0	44,0	22,5	1
B-RB7M5M#		M 70 x 1,5	18,0	18,0	80	88,5	44,0	22,5	1
B-RB7M5M#		M 75 x 1,5	18,0	18,0	80	88,5	44,0	22,5	1
B-RB8M5M#		M 80 x 1,5	18,0	18,0	90	100,0	44,0	22,5	1
B-RB6M6M#	M 60 x 1,5	M 63 x 1,5	18,0	18,0	68	75,0	54,0	22,5	1
B-RB7M6M#		M 70 x 1,5	18,0	18,0	80	88,5	54,0	22,5	1
B-RB7M6M#		M 75 x 1,5	18,0	18,0	80	88,5	54,0	22,5	1
B-RB8M6M#		M 80 x 1,5	18,0	18,0	90	100,0	54,0	22,5	1
B-RB8M6M#		M 85 x 1,5	18,0	18,0	95	105,0	54,0	22,5	1
B-RB8M6M#	M 63 x 1,5	M 90 x 1,5	18,0	21,0	95	105,0	54,0	25,5	1
B-RB7M6M#		M 70 x 1,5	18,0	18,0	80	88,5	57,0	22,5	1
B-RB7M6M#		M 75 x 1,5	18,0	18,0	80	88,5	57,0	22,5	1
B-RB8M6M#	M 70 x 1,5	M 90 x 1,5	18,0	21,0	95	105,0	57,0	25,5	1
B-RB7M7M#		M 75 x 1,5	18,0	18,0	80	88,5	64,0	22,5	1
B-RB8M7M#		M 80 x 1,5	18,0	18,0	90	100,0	64,0	22,5	1
B-RB8M7M#		M 85 x 1,5	18,0	18,0	95	105,0	64,0	22,5	1
B-RB8M7M#	M 75 x 1,5	M 90 x 1,5	18,0	21,0	95	105,0	64,0	25,5	1
B-RB8M7M#		M 80 x 1,5	18,0	18,0	90	100,0	69,0	22,5	1
B-RB8M7M#		M 85 x 1,5	18,0	18,0	95	105,0	69,0	22,5	1
B-RB8M7M#	M 80 x 1,5	M 90 x 1,5	18,0	21,0	95	105,0	69,0	25,5	1
B-RB9M7M#		M 100 x 1,5	18,0	21,0	110	123,0	69,0	25,5	1
B-RB8M8M#		M 85 x 1,5	18,0	18,0	95	105,0	72,0	22,5	1
B-RB8M8M#		M 90 x 1,5	18,0	21,0	95	105,0	72,0	25,5	1
B-RB9M8M#	M 85 x 1,5	M 100 x 1,5	18,0	21,0	110	123,0	72,0	25,5	1
B-RB10M8M#		M 110 x 1,5	18,0	21,0	120	133,5	72,0	26,0	1
B-RB8M8M#		M 90 x 1,5	18,0	21,0	95	105,0	77,0	25,5	1
B-RB9M8M#	M 90 x 1,5	M 100 x 1,5	18,0	21,0	110	123,0	77,0	25,5	1
B-RB10M8M#		M 110 x 1,5	18,0	21,0	120	133,5	77,0	26,0	1
B-RB9M8M#		M 100 x 1,5	21,0	21,0	110	123,0	84,0	26,0	1
B-RB10M8M#	M 100 x 1,5	M 110 x 1,5	21,0	21,0	120	133,5	84,0	26,0	1
B-RB10M9M#		M 110 x 1,5	21,0	21,0	120	133,5	94,0	26,0	1

Ampliación APUS

3/4

Rosca métrica macho < NPT hembra

Referencia	Rosca macho	Rosca hembra	TL mm	ITL mm	SW mm	D mm	ID mm	H mm	Embalaje unidades
B-RB01N01M#	M 16 x 1,5	NPT 3/8"	15,0	15,0	20	22,0	10,0	18,5	1
B-RB1N01M#		NPT 1/2"	15,0	15,0	25	27,5	10,0	19,0	1
B-RB2N01M#		NPT 3/4"	15,0	15,0	30	33,0	10,0	19,0	1
B-RB1N1M#	M 20 x 1,5	NPT 1/2"	15,0	15,0	25	27,5	14,0	19,0	1
B-RB2N1M#		NPT 3/4"	15,0	15,0	30	33,0	14,0	19,0	1
B-RB3N1M#		NPT 1"	15,0	15,0	36	39,5	14,0	19,0	1
B-RB4N1M#		NPT 1 1/4"	15,0	18,0	45	50,0	14,0	22,0	1
B-RB2N2M#	M 25 x 1,5	NPT 3/4"	15,0	15,0	30	33,0	19,0	19,0	1
B-RB3N2M#		NPT 1"	15,0	15,0	36	39,5	19,0	19,0	1
B-RB4N2M#		NPT 1 1/4"	15,0	18,0	45	50,0	19,0	22,0	1
B-RB3N3M#	M 32 x 1,5	NPT 1"	15,0	15,0	36	39,5	26,0	19,0	1
B-RB4N3M#		NPT 1 1/4"	15,0	18,0	45	50,0	26,0	22,0	1
B-RB5N3M#		NPT 1 1/2"	18,0	18,0	55	61,0	26,0	22,0	1
B-RB4N4M#		NPT 1 1/4"	18,0	18,0	45	50,0	34,0	22,0	1
B-RB5N4M#	M 40 x 1,5	NPT 1 1/2"	18,0	18,0	55	61,0	34,0	22,0	1
B-RB6N4M#		NPT 2"	18,0	18,0	65	72,0	34,0	22,5	1
B-RB5N5M#	M 50 x 1,5	NPT 1 1/2"	18,0	18,0	55	61,0	40,0	22,0	1
B-RB6N5M#		NPT 2"	18,0	18,0	65	72,0	44,0	22,5	1
B-RB7N5M#		NPT 2 1/2"	18,0	28,0	80	88,5	44,0	32,5	1
B-RB6N6M#		NPT 2"	18,0	18,0	68	75,0	48,0	22,5	1
B-RB7N6M#	M 60 x 1,5	NPT 2 1/2"	18,0	28,0	80	88,5	54,0	32,5	1
B-RB8N6M#		NPT 3"	18,0	28,0	95	105,0	54,0	32,5	1
B-RB6N6M#	M 63 x 1,5	NPT 2"	18,0	18,0	68	75,0	51,0	22,5	1
B-RB7N6M#		NPT 2 1/2"	18,0	28,0	80	88,5	57,0	32,5	1
B-RB8N6M#		NPT 3"	18,0	28,0	95	105,0	51,0	32,5	1
B-RB7N7M#		NPT 2 1/2"	18,0	28,0	80	88,5	64,0	32,5	1
B-RB8N7M#	M 70 x 1,5	NPT 3"	18,0	28,0	95	105,0	64,0	32,5	1
B-RB9N7M#		NPT 3 1/2"	18,0	28,0	110	123,0	64,0	33,0	1
B-RB7N7M#		NPT 2 1/2"	18,0	28,0	80	88,5	62,0	32,5	1
B-RB8N7M#	M 75 x 1,5	NPT 3"	18,0	28,0	95	105,0	69,0	32,5	1
B-RB9N7M#		NPT 3 1/2"	18,0	28,0	110	123,0	69,0	33,0	1
B-RB8N8M#	M 80 x 1,5	NPT 3"	18,0	28,0	95	105,0	72,0	32,5	1
B-RB9N8M#		NPT 3 1/2"	18,0	28,0	110	123,0	72,0	33,0	1
B-RB10N8M#		NPT 4"	18,0	28,0	120	133,5	72,0	33,0	1
B-RB8N8M#	M 85 x 1,5	NPT 3"	18,0	28,0	95	105,0	77,0	32,5	1
B-RB9N8M#		NPT 3 1/2"	18,0	28,0	110	123,0	77,0	33,0	1
B-RB10N8M#		NPT 4"	18,0	28,0	120	133,5	77,0	33,0	1
B-RB8N8M#	M 90 x 1,5	NPT 3"	21,0	28,0	95	105,0	78,0	33,0	1
B-RB9N8M#		NPT 3 1/2"	21,0	28,0	110	123,0	78,0	33,0	1
B-RB10N8M#		NPT 4"	21,0	28,0	120	133,5	84,0	33,0	1
B-RB9N9M#	M 100 x 1,5	NPT 3 1/2"	21,0	28,0	110	123,0	90,0	33,0	1
B-RB10N9M#		NPT 4"	21,0	28,0	120	133,5	94,0	33,0	1
B-RB10N10M#	M 110 x 1,5	NPT 4"	21,0	28,0	120	133,5	103,0	33,0	1

Ampliación APUS

4/4

Rosca NPT macho < NPT hembra

Referencia	Rosca macho	Rosca hembra	TL mm	ITL mm	SW mm	D mm	ID mm	H mm	Embalaje unidades
B-RB1N01N#	NPT 3/8"	NPT 1/2"	15,0	15,0	25	27,5	13,0	19,0	1
B-RB2N01N#		NPT 3/4"	15,0	15,0	30	33,0	12,0	19,0	1
B-RB3N01N#		NPT 1"	15,0	15,0	36	39,5	12,0	19,0	1
B-RB2N1N#	NPT 1/2"	NPT 3/4"	15,0	15,0	30	33,0	14,5	19,0	1
B-RB3N1N#		NPT 1"	15,0	15,0	36	39,5	14,5	19,0	1
B-RB4N1N#		NPT 1 1/4"	15,0	18,0	45	50,0	14,5	22,0	1
B-RB3N2N#	NPT 3/4"	NPT 1"	15,0	15,0	36	39,5	20,0	19,0	1
B-RB4N2N#		NPT 1 1/4"	15,0	18,0	45	50,0	20,0	22,0	1
B-RB5N2N#		NPT 1 1/2"	15,0	18,0	55	61,0	20,0	22,5	1
B-RB4N3N#	NPT 1"	NPT 1 1/4"	15,0	18,0	45	50,0	27,0	22,0	1
B-RB5N3N#		NPT 1 1/2"	15,0	18,0	55	61,0	25,0	22,5	1
B-RB6N3N#		NPT 2"	18,0	18,0	65	72,0	25,0	22,5	1
B-RB5N4N#	NPT 1 1/4"	NPT 1 1/2"	18,0	18,0	55	61,0	35,0	22,5	1
B-RB6N4N#		NPT 2"	18,0	18,0	65	72,0	35,0	22,5	1
B-RB7N4N#		NPT 1 1/2"	18,0	28,0	80	88,5	35,0	32,5	1
B-RB6N5N#	NPT 1 1/2"	NPT 2"	18,0	18,0	65	72,0	41,0	22,5	1
B-RB7N5N#		NPT 2 1/2"	18,0	28,0	80	88,5	41,0	32,5	1
B-RB8N5N#		NPT 3"	28,0	28,0	95	105,0	41,0	32,5	1
B-RB7N6N#	NPT 2"	NPT 2 1/2"	18,0	28,0	80	88,5	53,0	32,5	1
B-RB8N6N#		NPT 3"	28,0	28,0	95	105,0	53,0	32,5	1
B-RB9N6N#		NPT 3 1/2"	28,0	28,0	110	123,0	53,0	33,0	1
B-RB8N7N#	NPT 2 1/2"	NPT 3"	28,0	28,0	95	105,0	62,0	32,5	1
B-RB9N7N#		NPT 3 1/2"	28,0	28,0	110	123,0	62,0	33,0	1
B-RB10N7N#		NPT 4"	28,0	28,0	120	133,5	62,0	33,0	1
B-RB9N8N#	NPT 3"	NPT 3 1/2"	28,0	28,0	110	123,0	75,0	33,0	1
B-RB10N8N#		NPT 4"	28,0	28,0	120	133,5	75,0	33,0	1
B-RB10N9N#	NPT 3 1/2"	NPT 4"	28,0	28,0	120	133,5	87,5	33,0	1